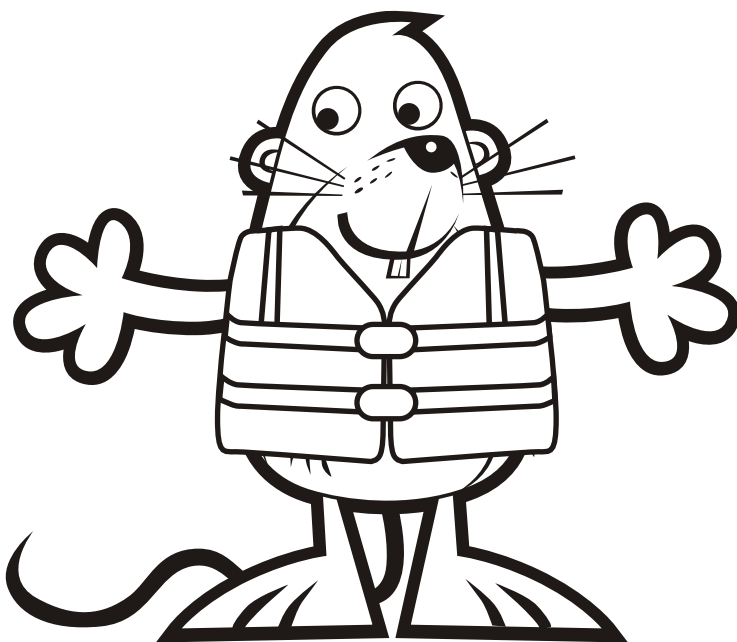


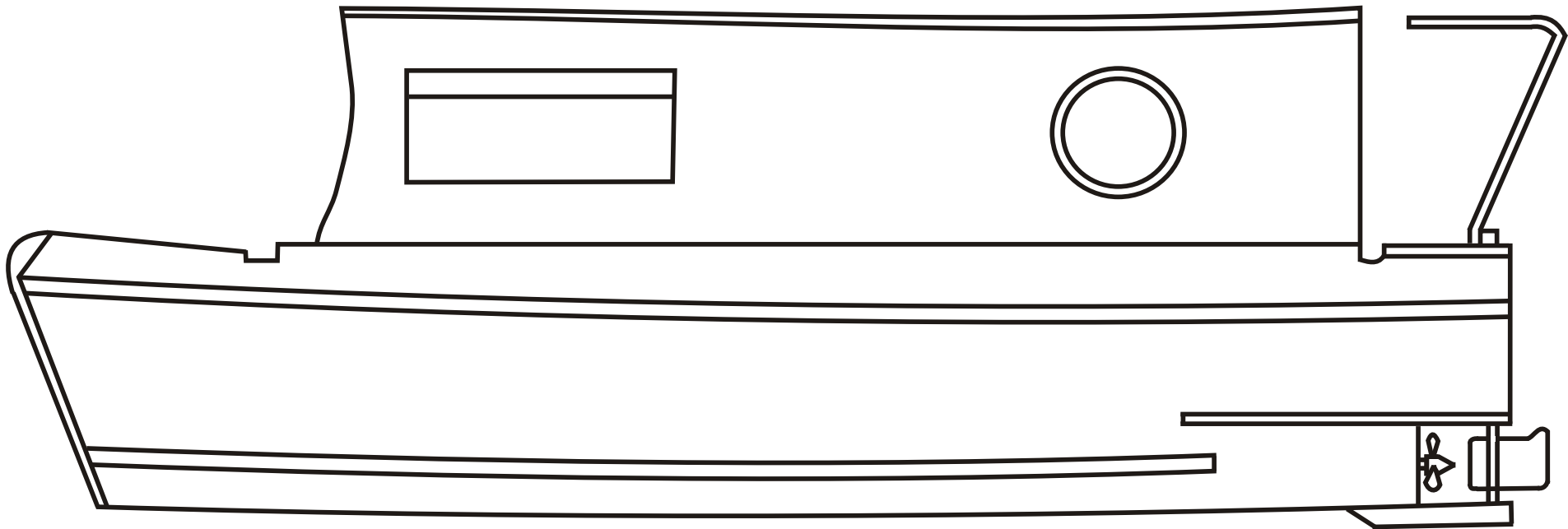
Activity pack
Boats

Ahoy my hearties!
Prepare to set sail with
some fun boat
activities!



Activity sheet 1

Canal Boat



Decorate this boat in the colours you have seen on the boats on the waterways.

Activity sheet 2

Model Narrowboat 1

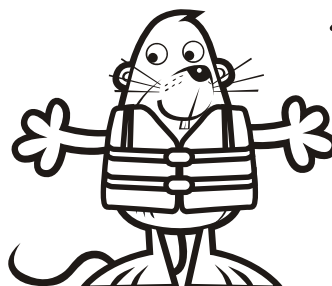
To be able to make the model narrowboat on the next page, you will need to follow these instructions carefully.

You will need:

- A copy of Model Narrowboat 2
- Coloured pencils or felt tips
- Glue
- Scissors
- Piece of card (A4 size).

Instructions

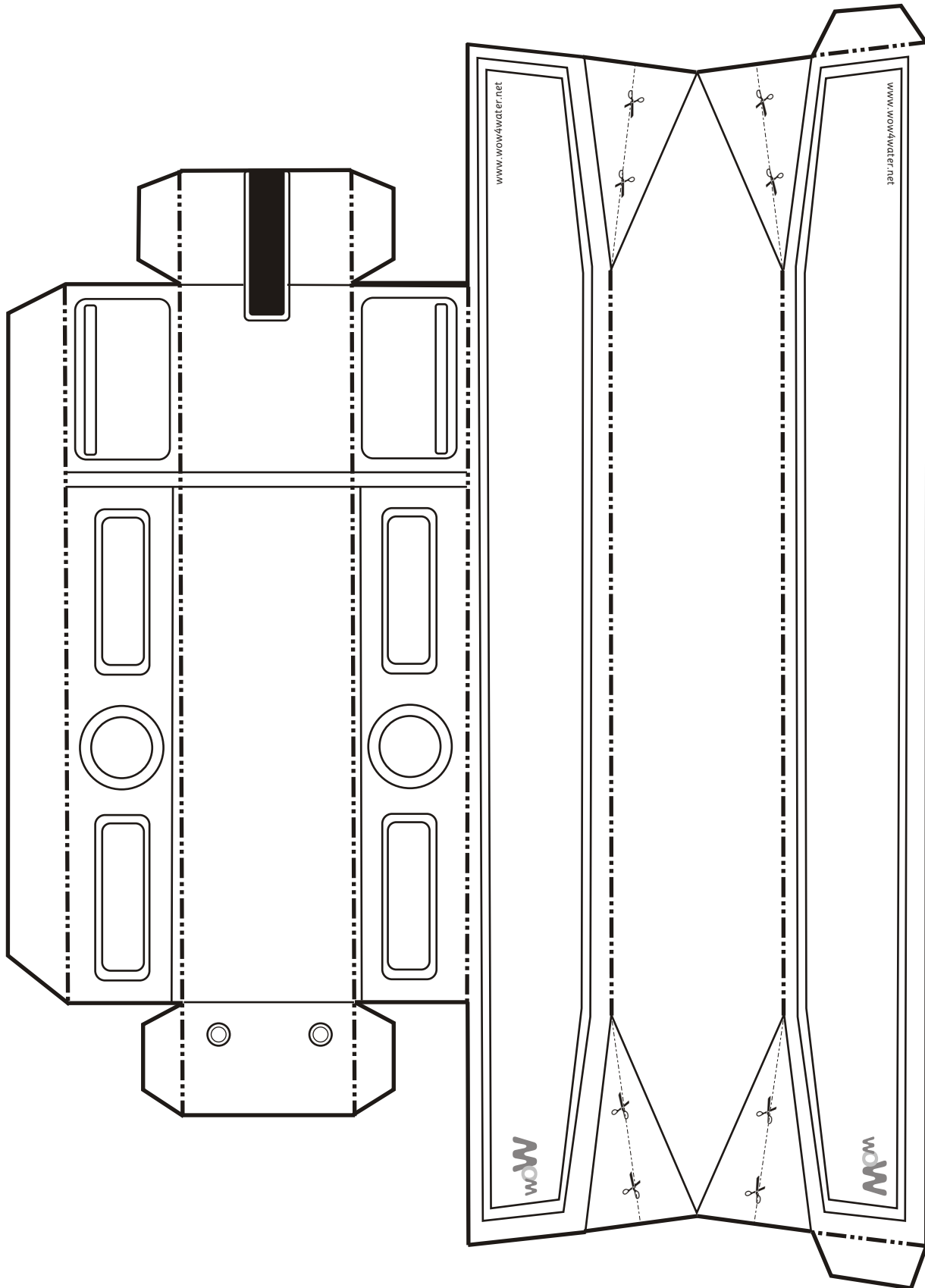
1. Colour in the boat template. You might want to decorate it with traditional 'roses and castles' designs. Don't forget to name it!
2. Carefully cut out the template.
3. Stick the template to a piece of card.
4. Fold along the dotted (.....) lines.
5. Put glue on the tabs and then stick.
6. Congratulations, you've made a boat!



I am sailing!
I am sailing!

Activity sheet 3

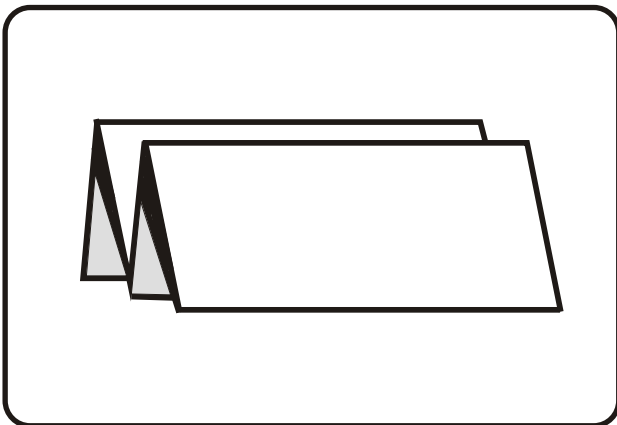
Model Narrowboat 2



Activity sheet 4

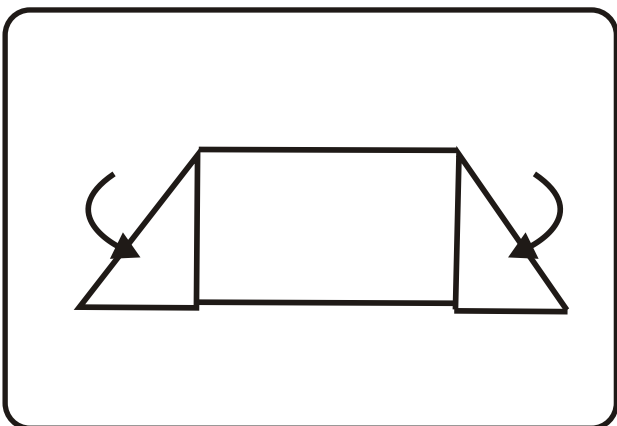
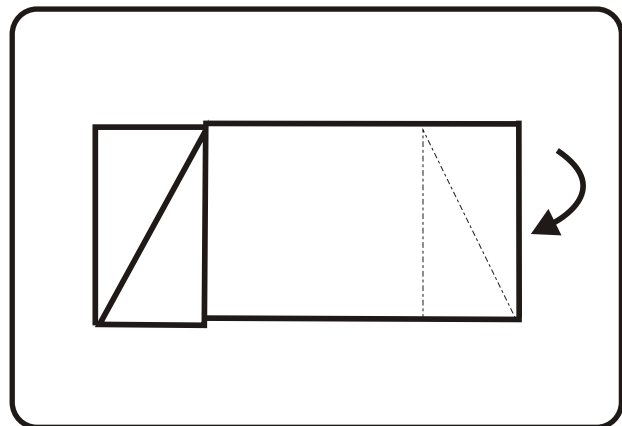
Origami Boat 1

Materials: A piece of A4 paper
Sticky tape (if needed, apply at step 5)



1. Fold the paper in half lengthways to make a central crease. Unfold. Fold both outside length edges in to the centre crease. You should now have a concertina.

2. Place the concertina flat on a table with the edge with two folds away from you. Fold down the top ends.

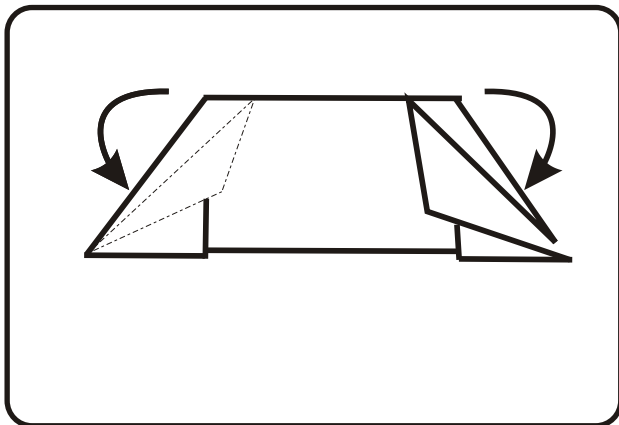


3. Turn over and repeat on the other side.

Activity sheet 5

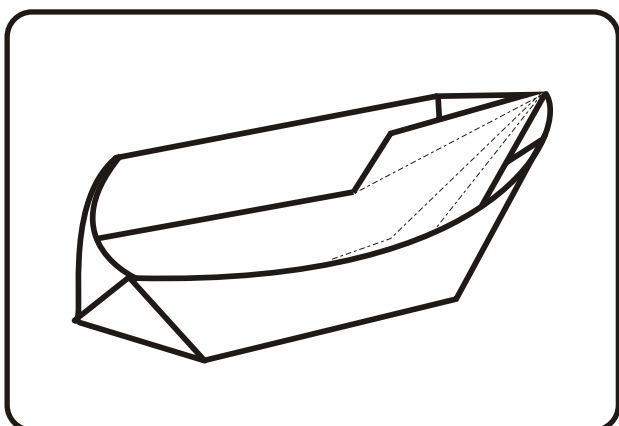
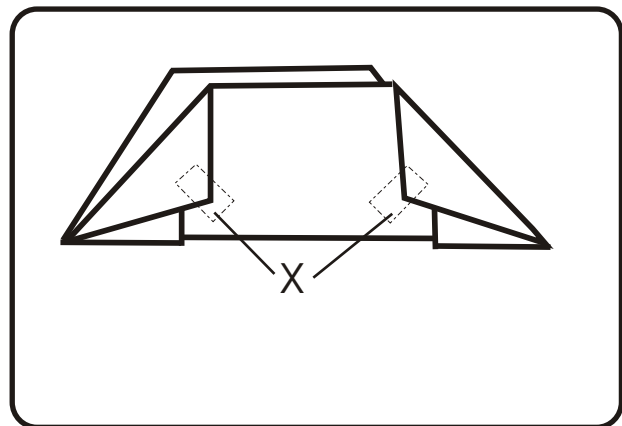
Origami Boat 2

Almost there!



4. Fold both the top corners down.

5. Turn over and repeat on the other side (apply sticky tape at x if needed).



6. You now need to turn the paper inside out. Carefully move the edges away from each other at the bottom. At the same time, press the top corners inwards with your thumbs. Coax out the sides. With practice, the sticky tape should be unnecessary!